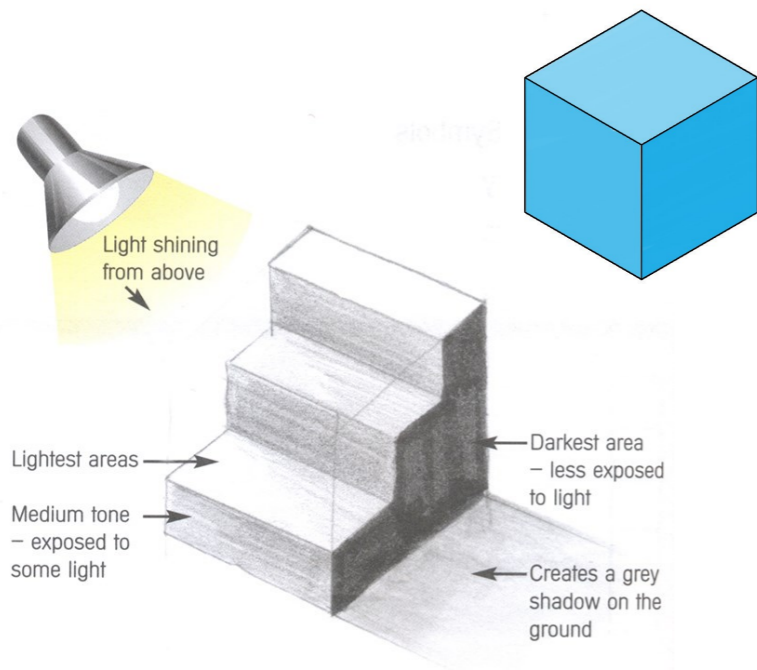


Rendering Task

Tonally Shade the Shapes shown using:

- ⇒ Coloured Pencils
- ⇒ Copic Markers.

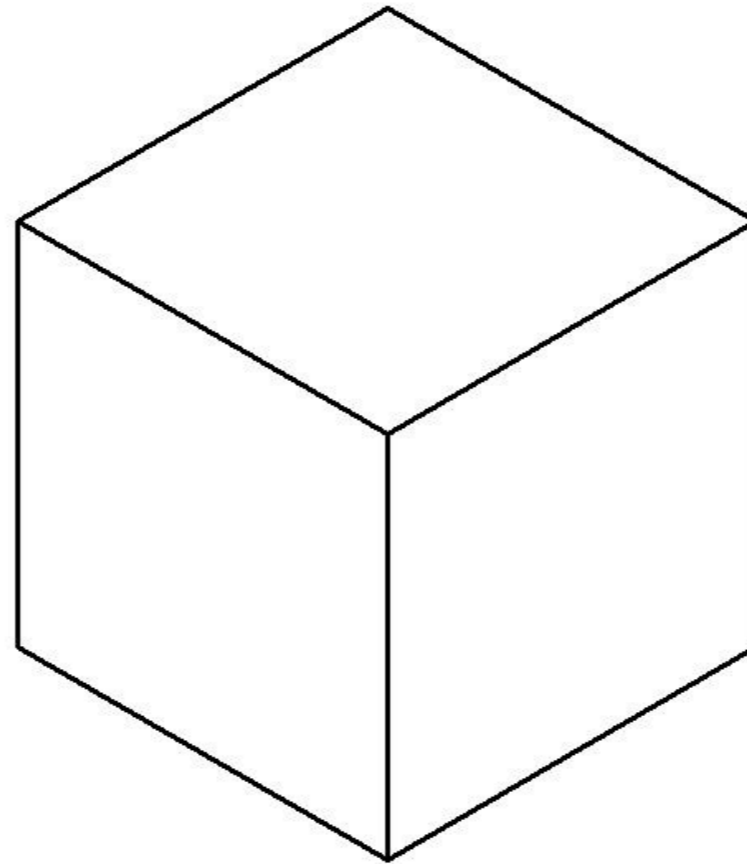
Go around the shapes with a complimentary colour to make them stand out.



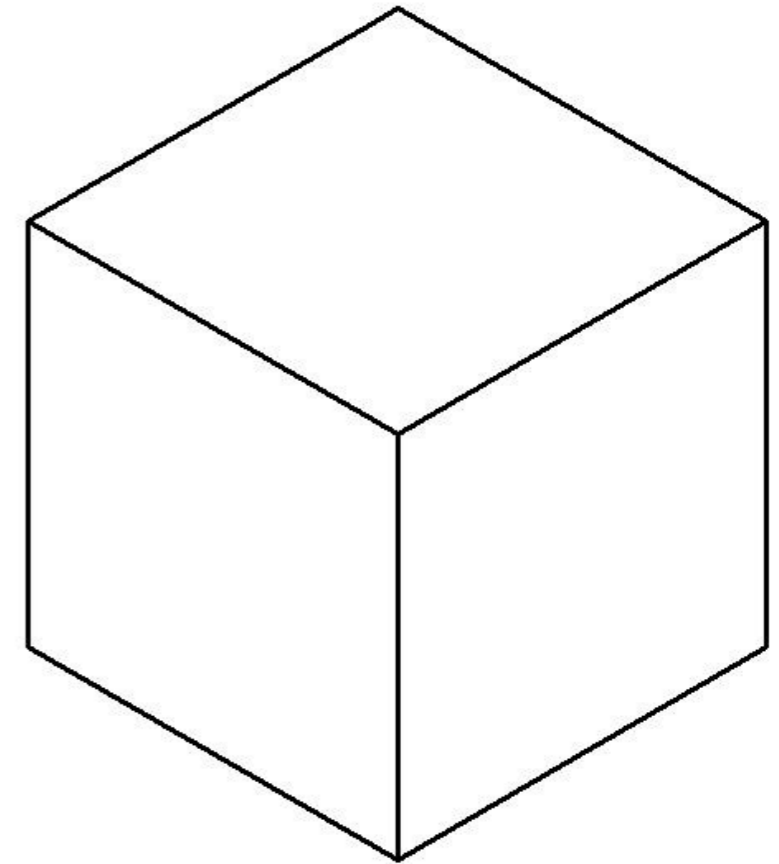
Light Source



Name:



Pencil



Copic Marker

