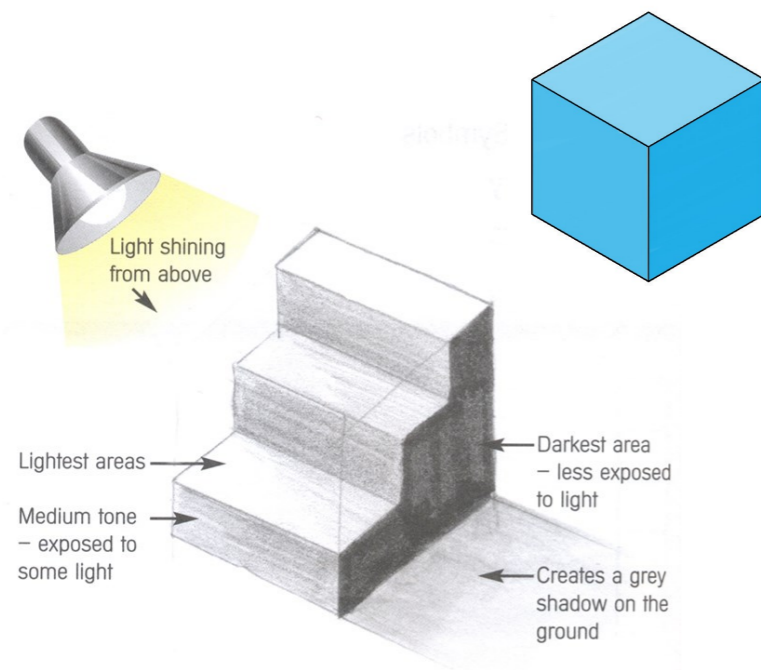


Fusion 360 Task

Use Fusion 360 to create 3D models of any **TWO** of the Isometric shapes shown.

Add a different **material** and **colour** to each shape.

Create a **rendered** image of each and insert them into an A3 Publisher page. Don't forget to add your name to the sheet before submitting it!



Light Source

