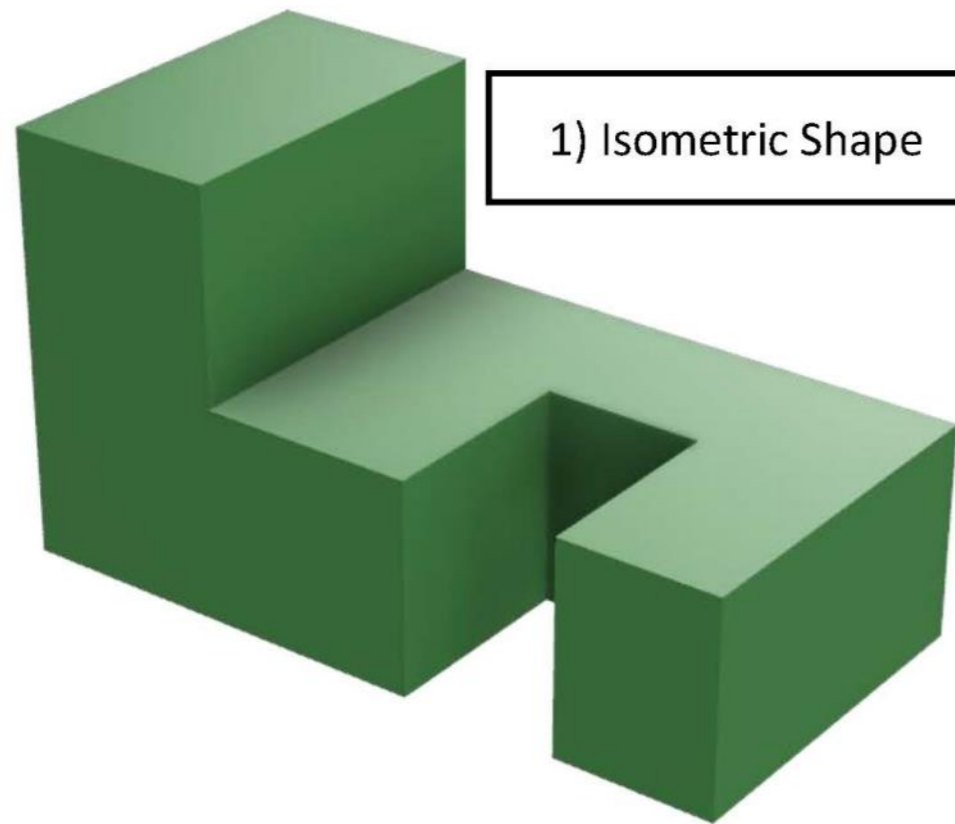
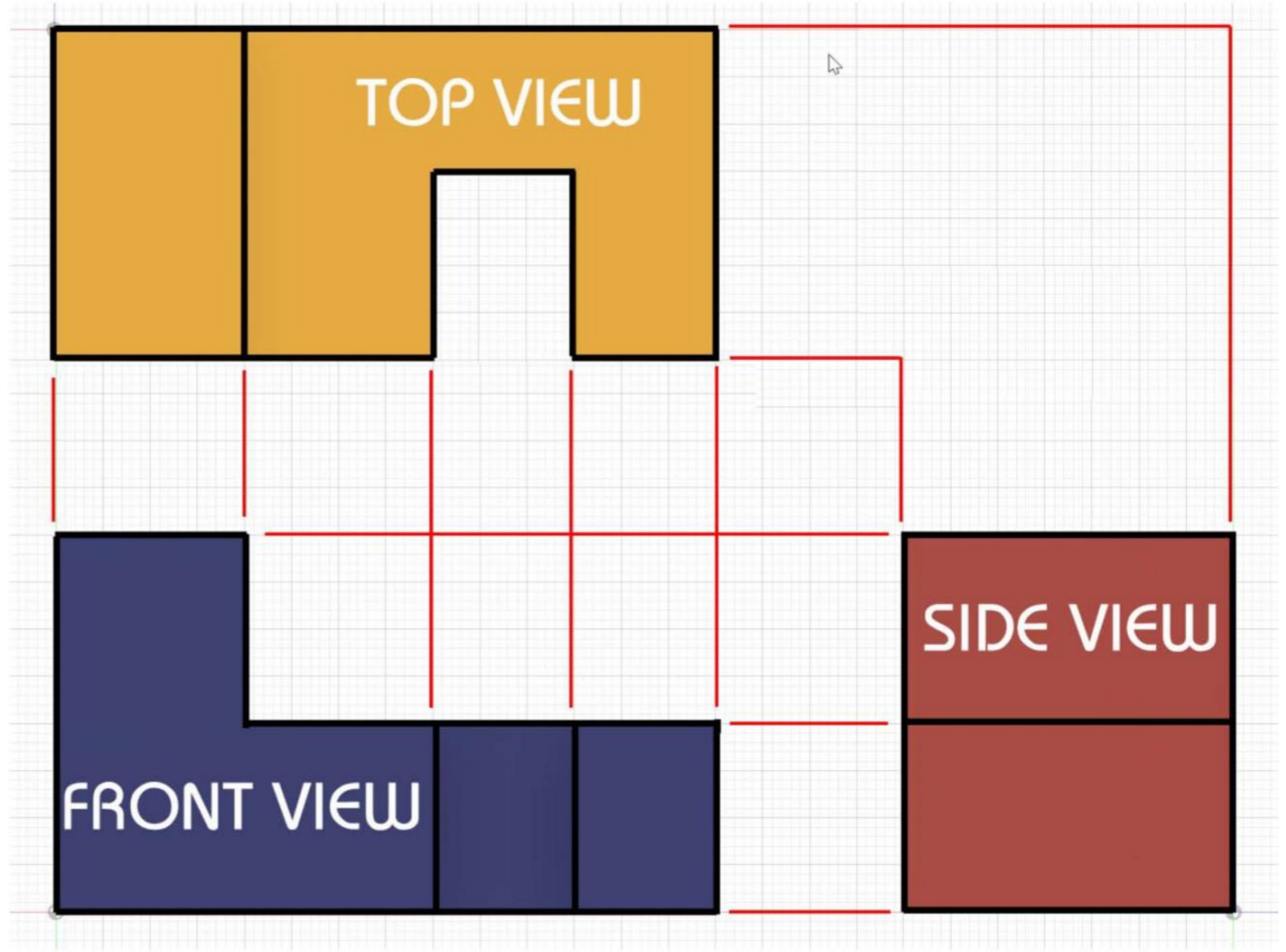
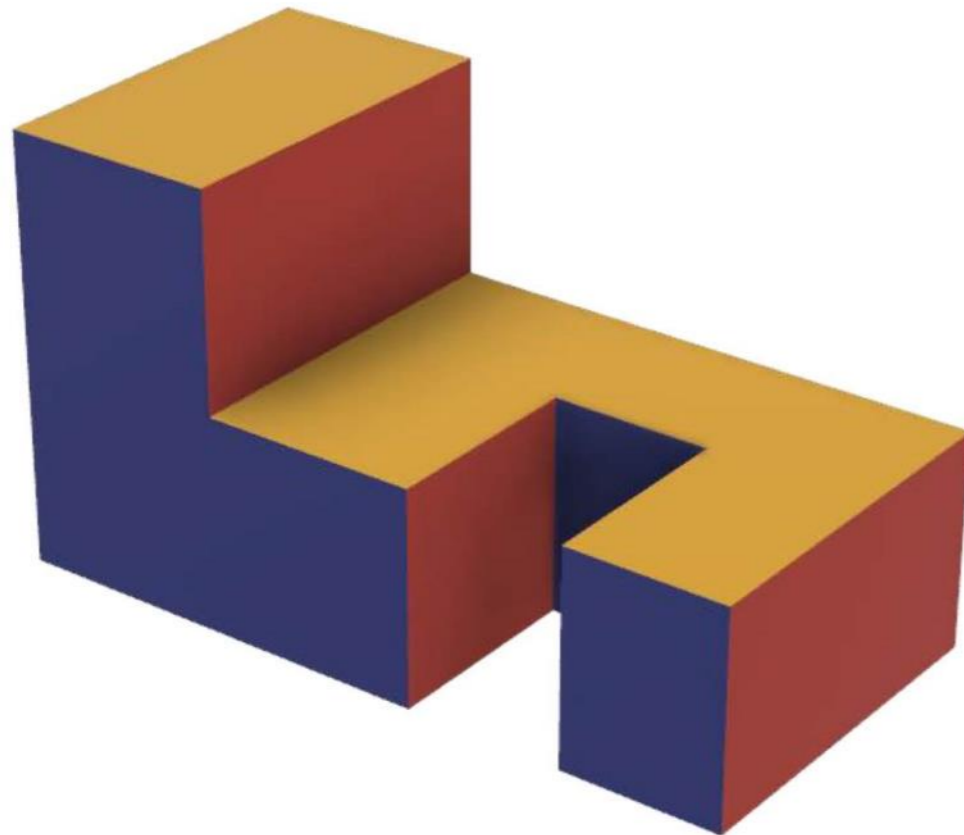


Draw the Isometric Shape using:

- 1) 123D Design or Fusion - output as image
- 2) Techsoft 2D Design with Isometric Grid



2) Isometric Shape with sides coloured

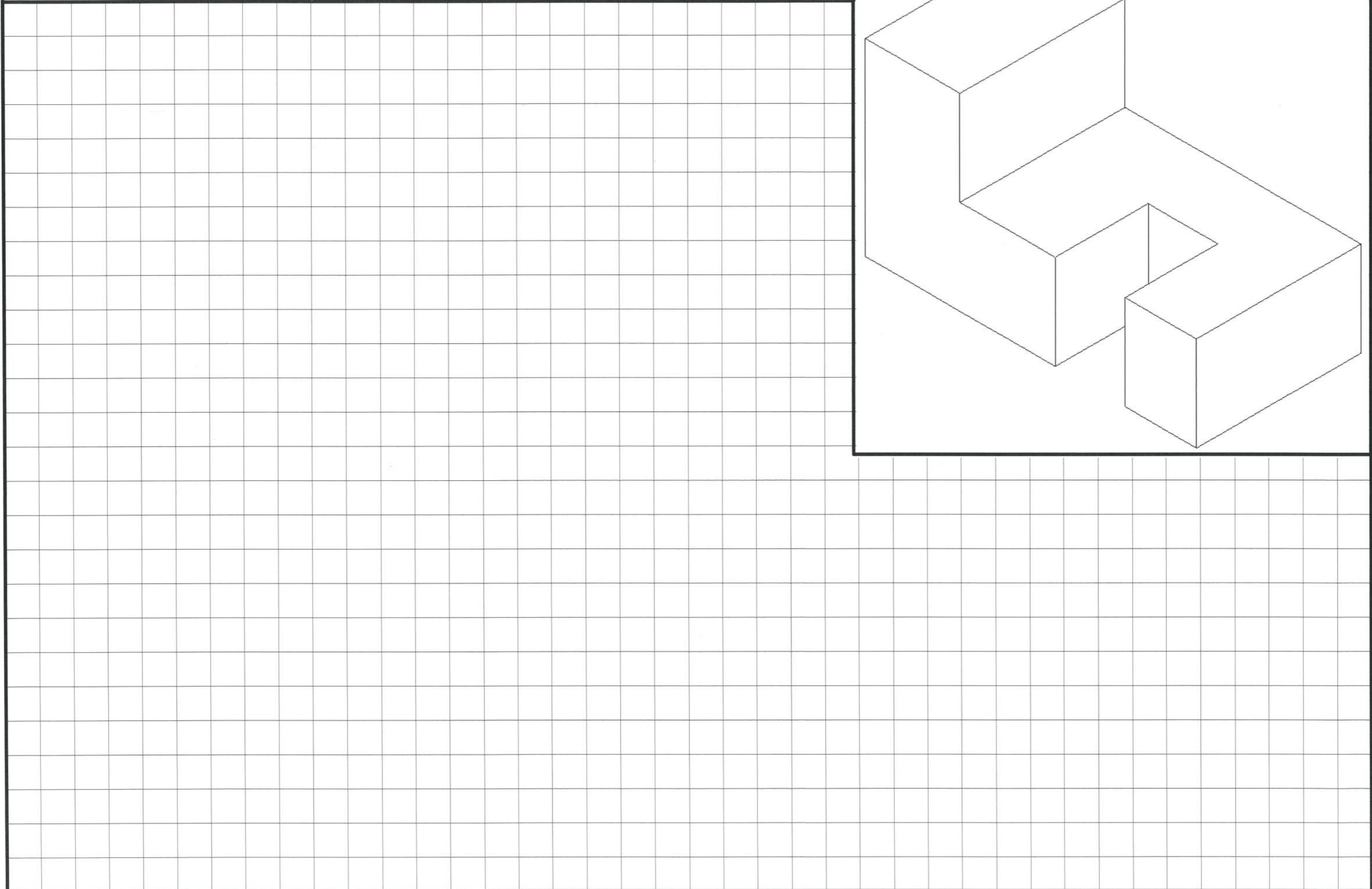
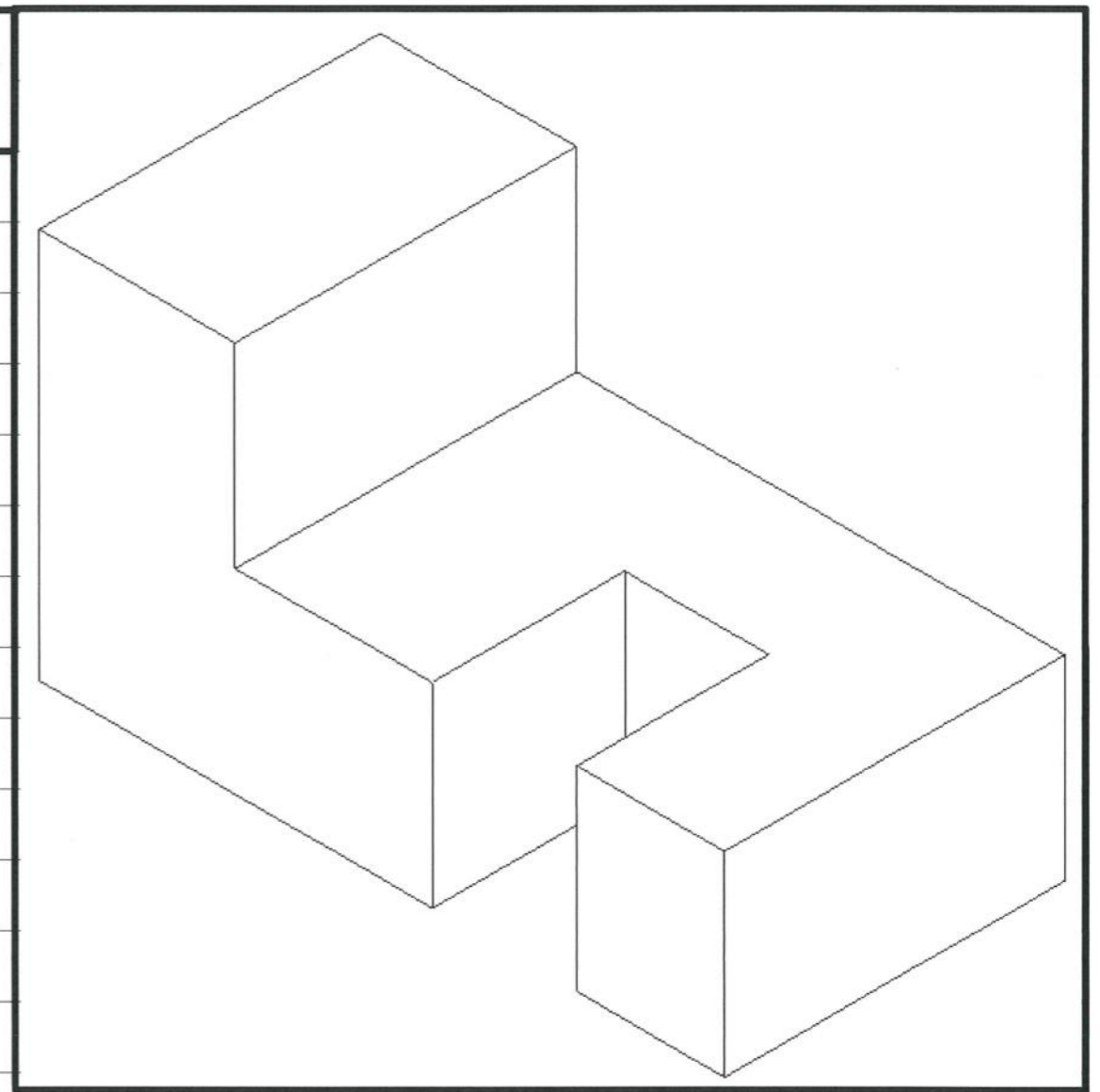


Orthographic (2D) View of the same shape
Red Lines indicate where edges line up

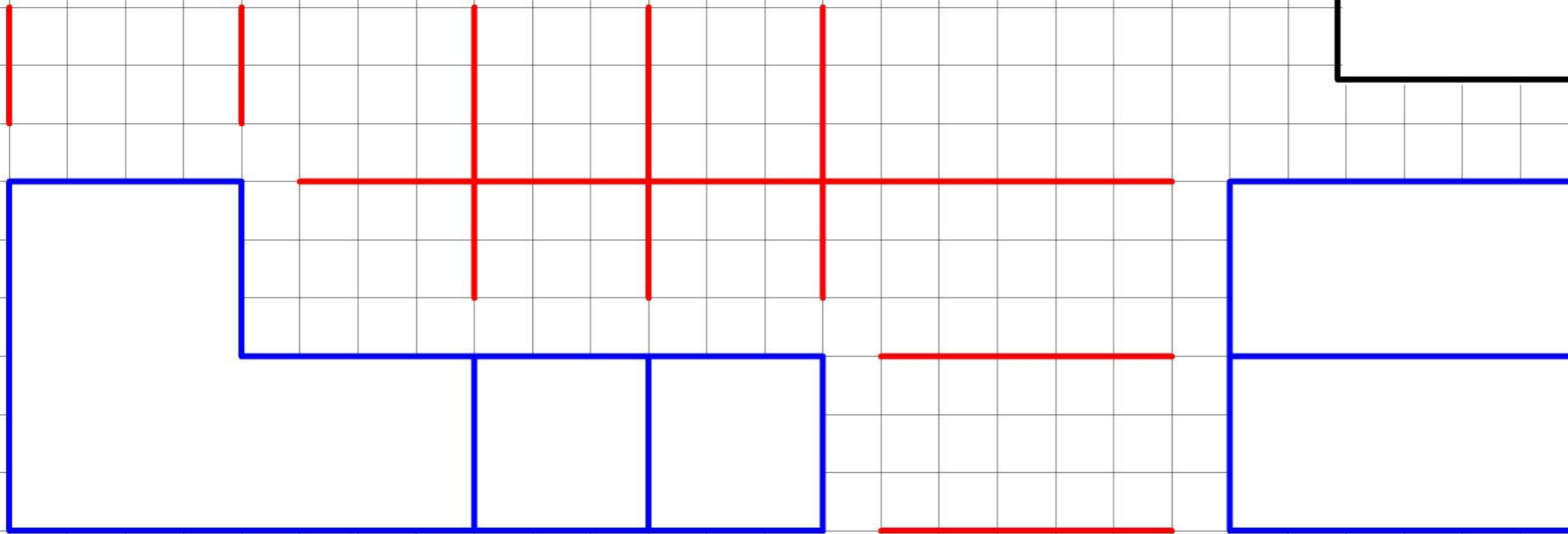
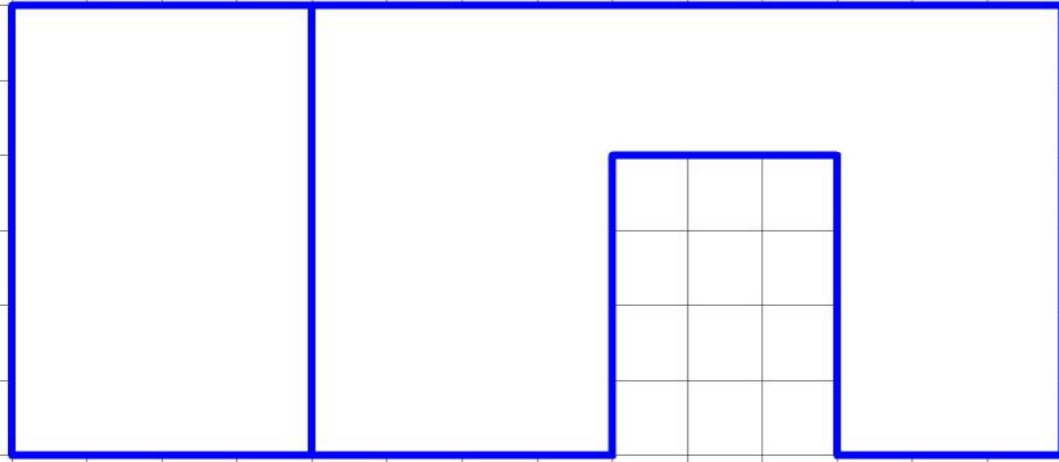
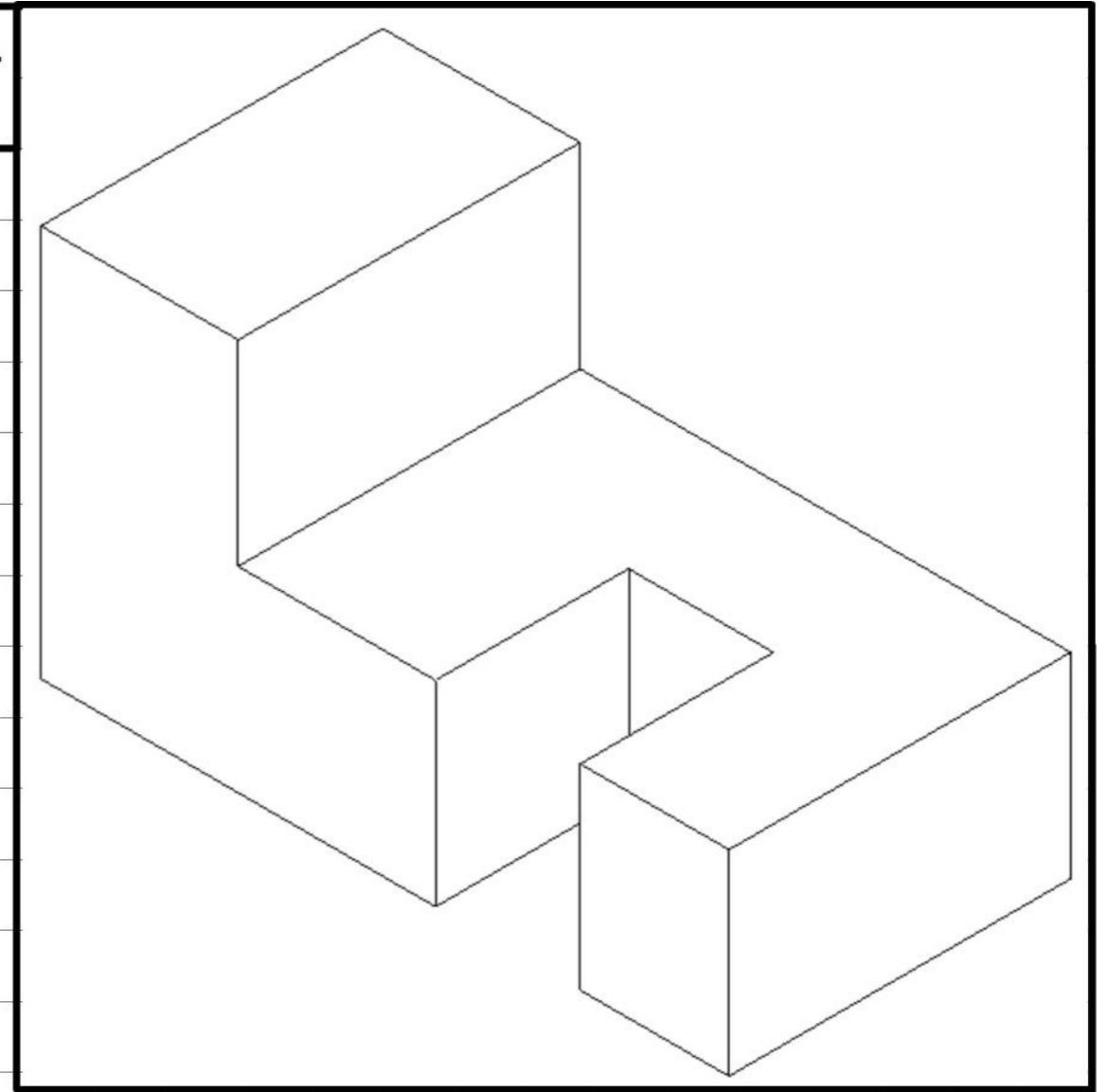
Name



Use the grid below to draw a 3rd Angle Orthographic Projection of the shape shown top right.
Colour and Label the Front, Top and Side on both the Isometric and Orthographic images.



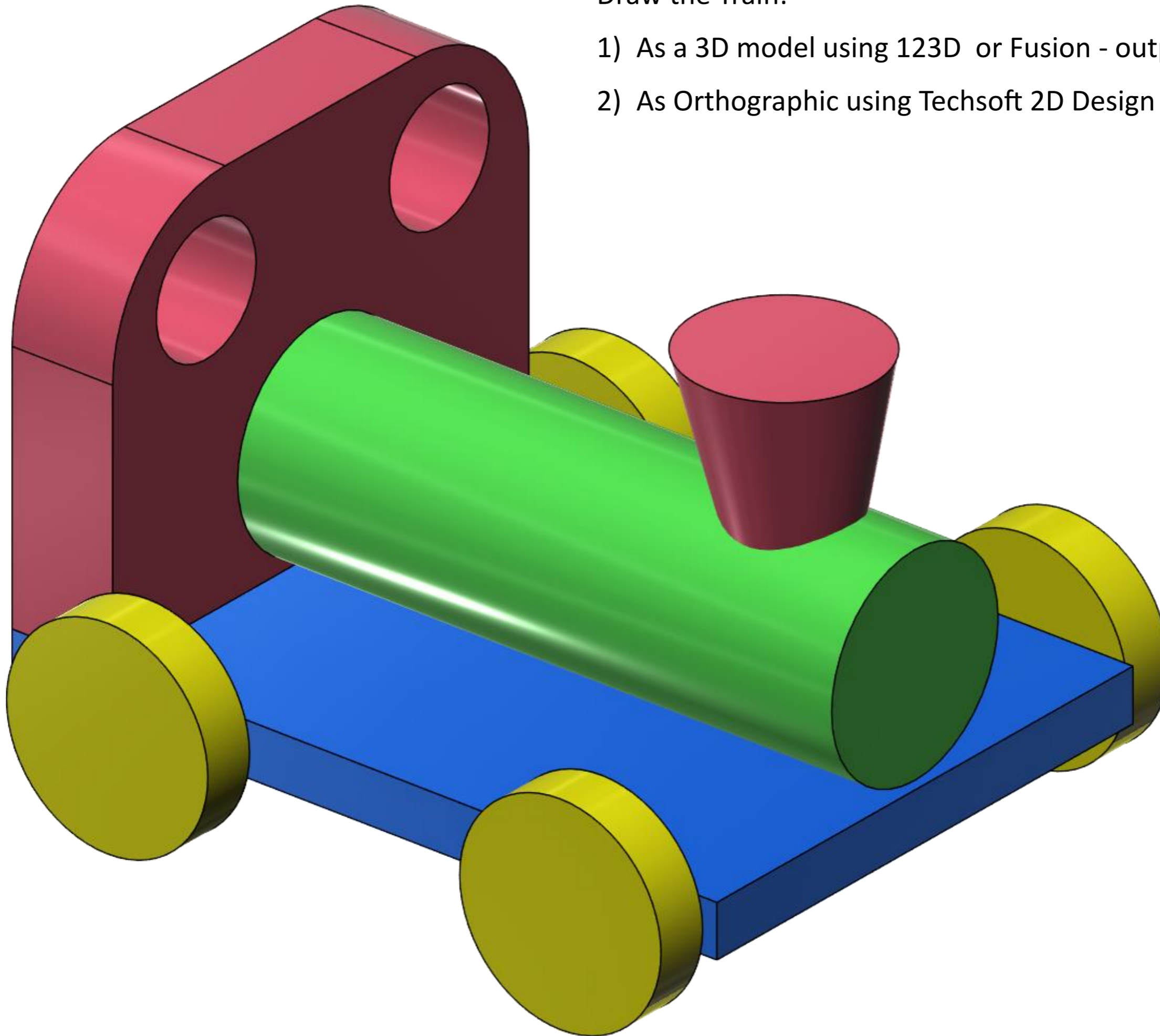
Use the grid below to draw a 3rd Angle Orthographic Projection of the shape shown top right. Colour and Label the Front, Top and Side on both the Isometric and Orthographic images.



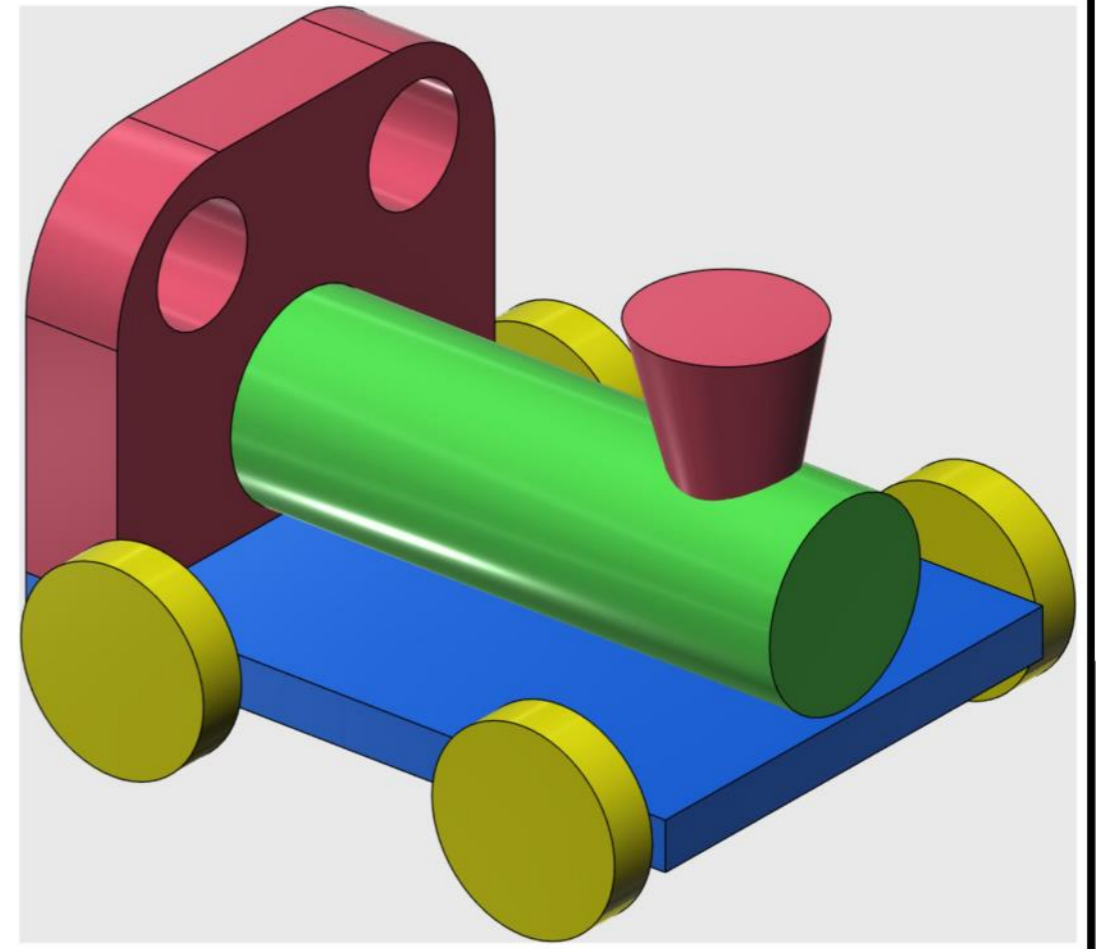
Draw the Train:

1) As a 3D model using 123D or Fusion - output as image

2) As Orthographic using Techsoft 2D Design with Orthogonal Grid



Use the grid below to draw a 3rd Angle Orthographic Projection of the shape shown top right. Colour and Label the Front, Top and Side on both the Isometric and Orthographic images.



Use the grid below to draw a 3rd Angle Orthographic Projection of the shape shown top right. Colour and Label the Front, Top and Side on both the Isometric and Orthographic images.

