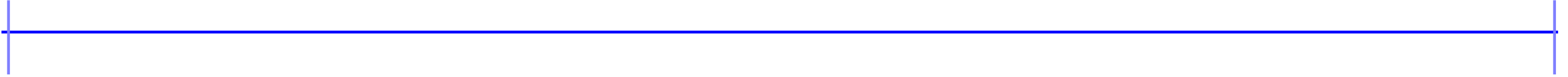


# VP1

# VP2



I



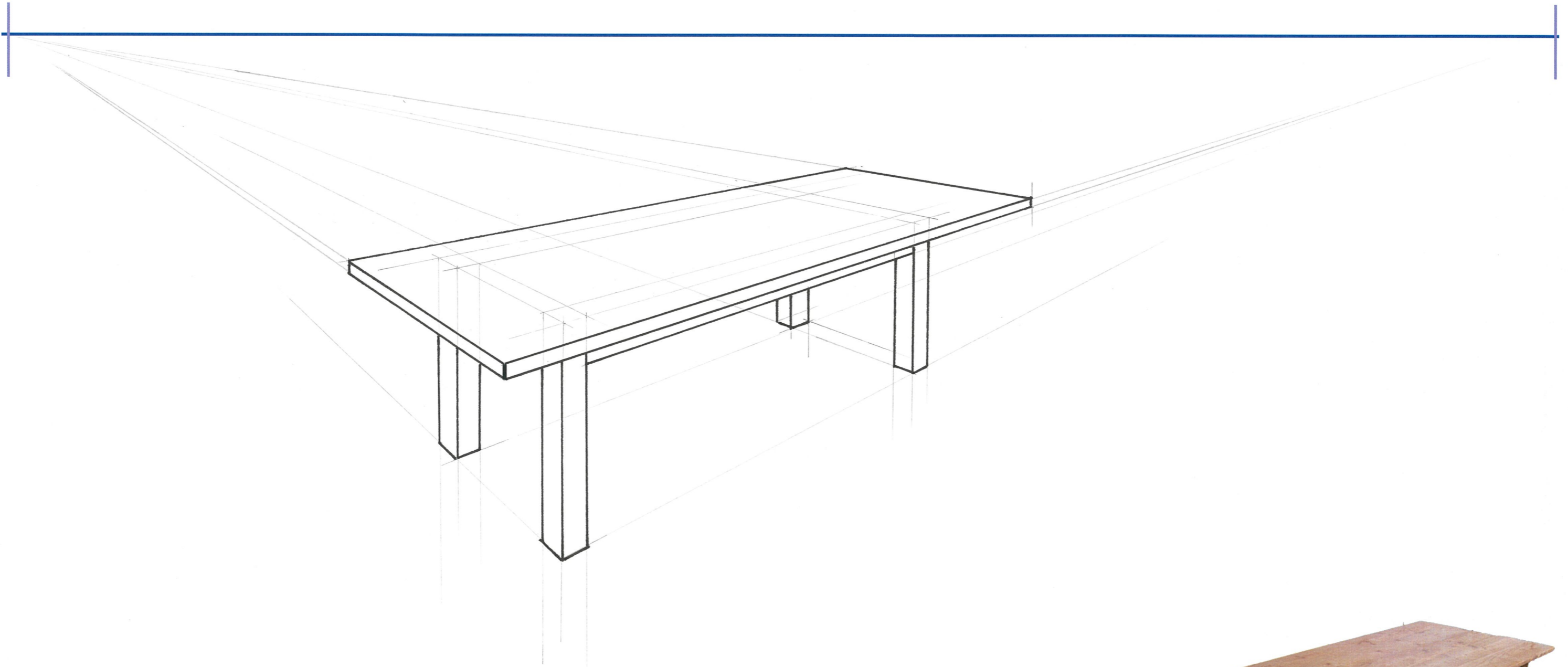
Using the supplied vanishing points draw the Table in Two Point Perspective.

Name



VP1

VP2



Using the supplied vanishing points draw the Table in Two Point Perspective.

Name

